



 **GOYEN**

# PILOT VALVE ENCLOSURES FOR NON-HAZARDOUS LOCATIONS

# GOYEN NEMA4/RAINTIGHT/ ATEX II 3 D G DIECAST PILOT VALVE ENCLOSURES (5, 8, 12 VALVE)

Diecast aluminium enclosures for Goyen RCA3D pilot valves, available optionally with anti-condensation heater.



3-5V Enclosure



3-8V Enclosure



3-12V Enclosure

## SUITABLE FOR

ATEX Category Ex II 3 GD and IP65 and all other non-hazardous applications, for piloting Goyen diaphragm valves.

## INSTALLATION

Ensure device is disconnected from power before opening the enclosure. These enclosures are all finished with the common solenoid terminals pre-wired.

For reliable operation, ensure supply voltage is within -10% and +15% of rated solenoid voltage.

To guarantee NEMA4 performance ensure gasket is in place when attaching lid to enclosure base. Replace components within 1 million cycles (refer to Spare Parts).

## CONSTRUCTION

**Body:** Aluminium (diecast)  
**Pilot Body:** Aluminium (diecast)  
**Ferrule:** 305 SS

**Armature:** 430FR SS  
**Seals:** Nitrile  
**Screws:** 302 SS or 304 SS  
**Clip:** Mild steel (plated)

## OPERATION

**Recommended on time range:** 50-500 ms  
**Recommended time between pulses:** 1 minute or greater

## OPTIONS

Heater, see order code below.

## PRODUCT PERFORMANCE

FLOW	MAXIMUM WORKING PRESSURE	MINIMUM WORKING PRESSURE	TEMPERATURE MIN	TEMPERATURE MAX	FLUID MEDIA
0.32 Cv	860 kPa	0 kPa	-40°C	82°C	Air or
0.27 Kv	125 psi	0 psi	-40°F	180°F	inert gas

Refer to Q Series Solenoid product specification for electrical performance details.

## APPROVALS

- C-Tick
- CE - EMC (2004/108/EC) and LV (2006/95/EC)
- CSA
- UL Listed J&P 42V8
- ATEX Ex II 3 D G

Approvals do not apply when heaters or slave cards are installed.

## SPARE PARTS

K0380 Nitrile replacement seal, armature, spring & ferrule kit.  
K0384 As above in viton.  
RCA3D0-\*\*\* } Replacement pilot assemblies.  
RCA3D1-\*\*\* } Refer to page 3 of RCA3 Solenoid Pilot Valves brochure.

## ORDER CODE

<b>Valve enclosure size</b> 5, 8 or 12	<b>Solenoid type</b> QT2 solenoid order code, drop the 'K-' Refer to QT2 Series Solenoid product specification.
<b>Number of pilots fitted</b> 0-5, 8 or 12 according to enclosure size	<b>Heater type*</b> 0=none, 5=24 V DC, 6=100/120 V AC, 7=220/24 V AC
<b>Thread type</b> 0=NPT/NPT, 1=RP/M, 3=NPT/M, 4=RP/G (pilot thread/enclosure conduit thread)	<b>Name plate</b> 1=Goyen, 0=none

## Example: 3-8V6010-330

8 valve enclosure, fitted with 6 pilots, with NPT pilot and conduit thread type, Goyen name plate, no heater and 220/240 VAC 50/60 Hz solenoids.

Note that enclosures are pre-wired with QT2 type solenoids only.

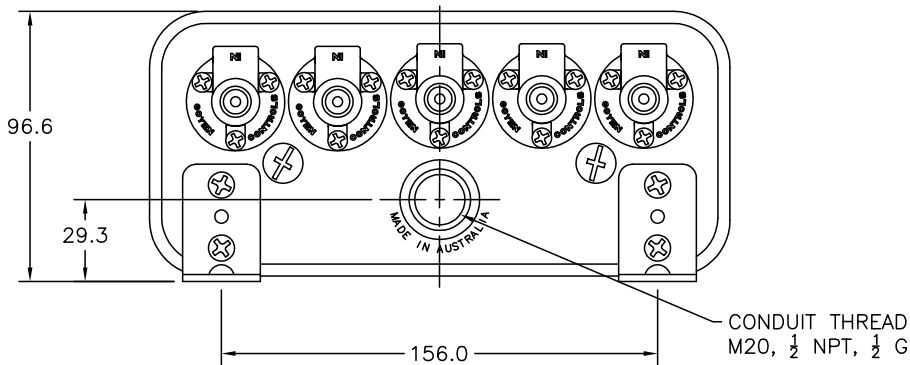
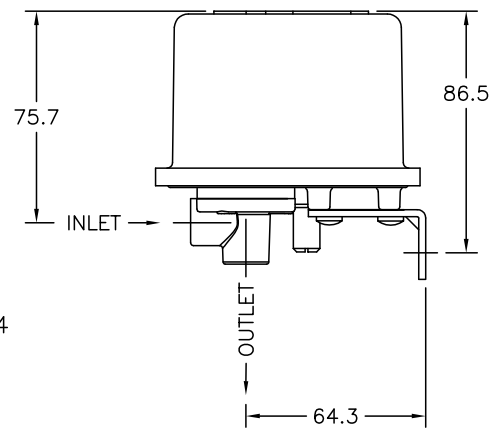
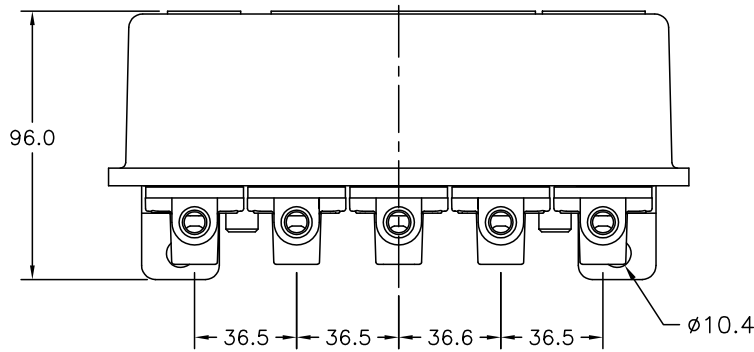
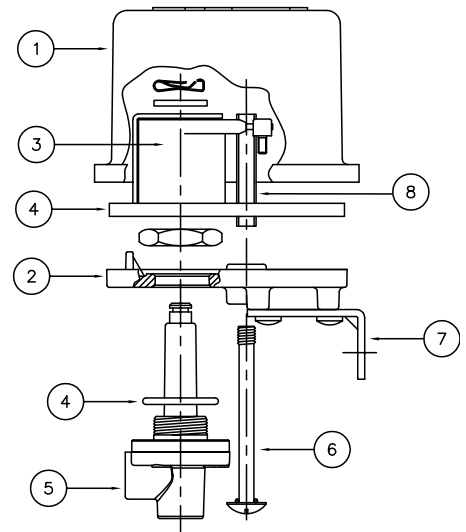
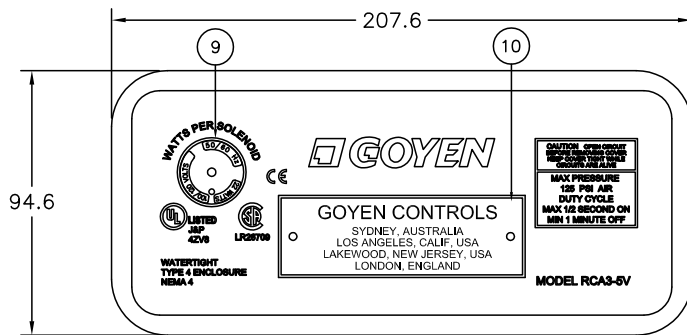
\* = heaters currently not available in 3-5V5 and 3-12V12 enclosures.

# GOYEN NEMA4/RAINTIGHT/ ATEX II 3 D G DIECAST PILOT VALVE ENCLOSURES (5, 8, 12 VALVE)

PILOT VALVES AND NEMA 4 ENCLOSURES

## DIMENSIONS AND WEIGHTS

(Dimensions in mm)

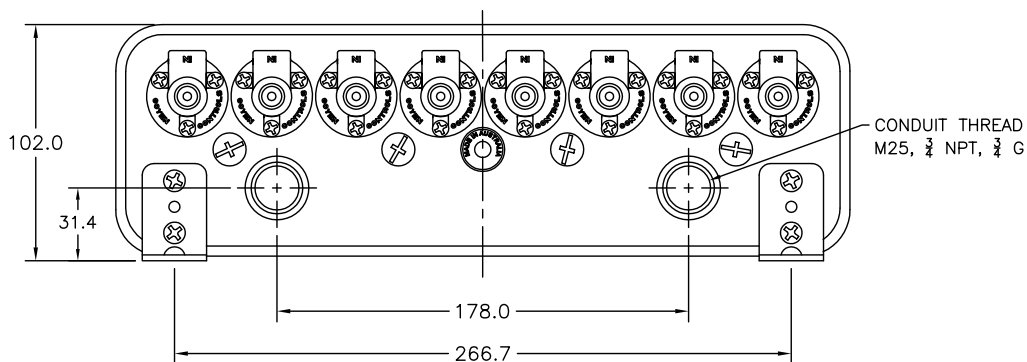
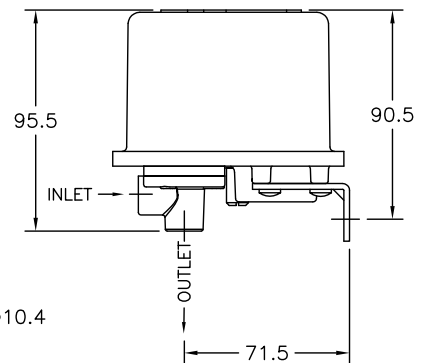
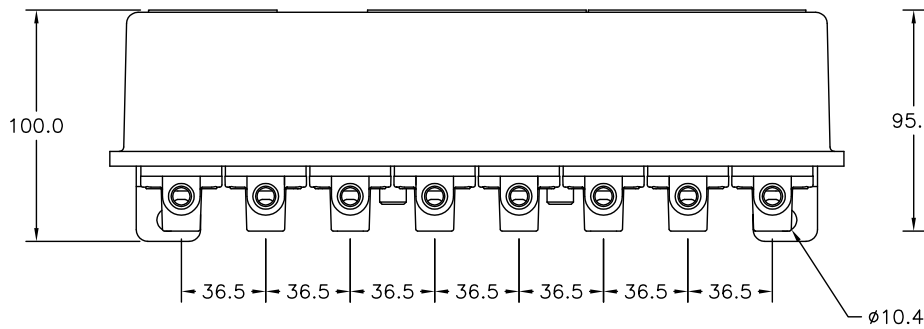
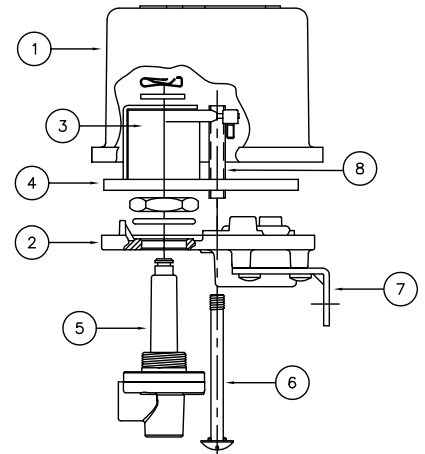
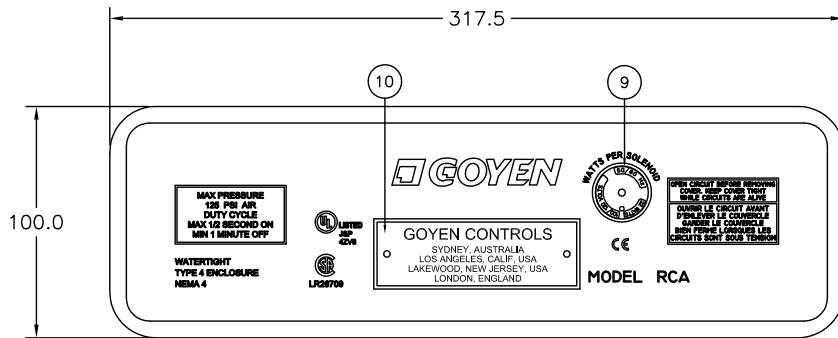


### 3-5V5 Series

Mass = 0.814 Kg + 0.174 Kg per valve pilot fitted  
(1.795 lb + 0.384 lb per pilot valve fitted)

# GOYEN NEMA4/RAINTIGHT/ ATEX II 3 D G DIECAST PILOT VALVE ENCLOSURES (5, 8, 12 VALVE)

PILOT VALVES AND NEMA 4 ENCLOSURES

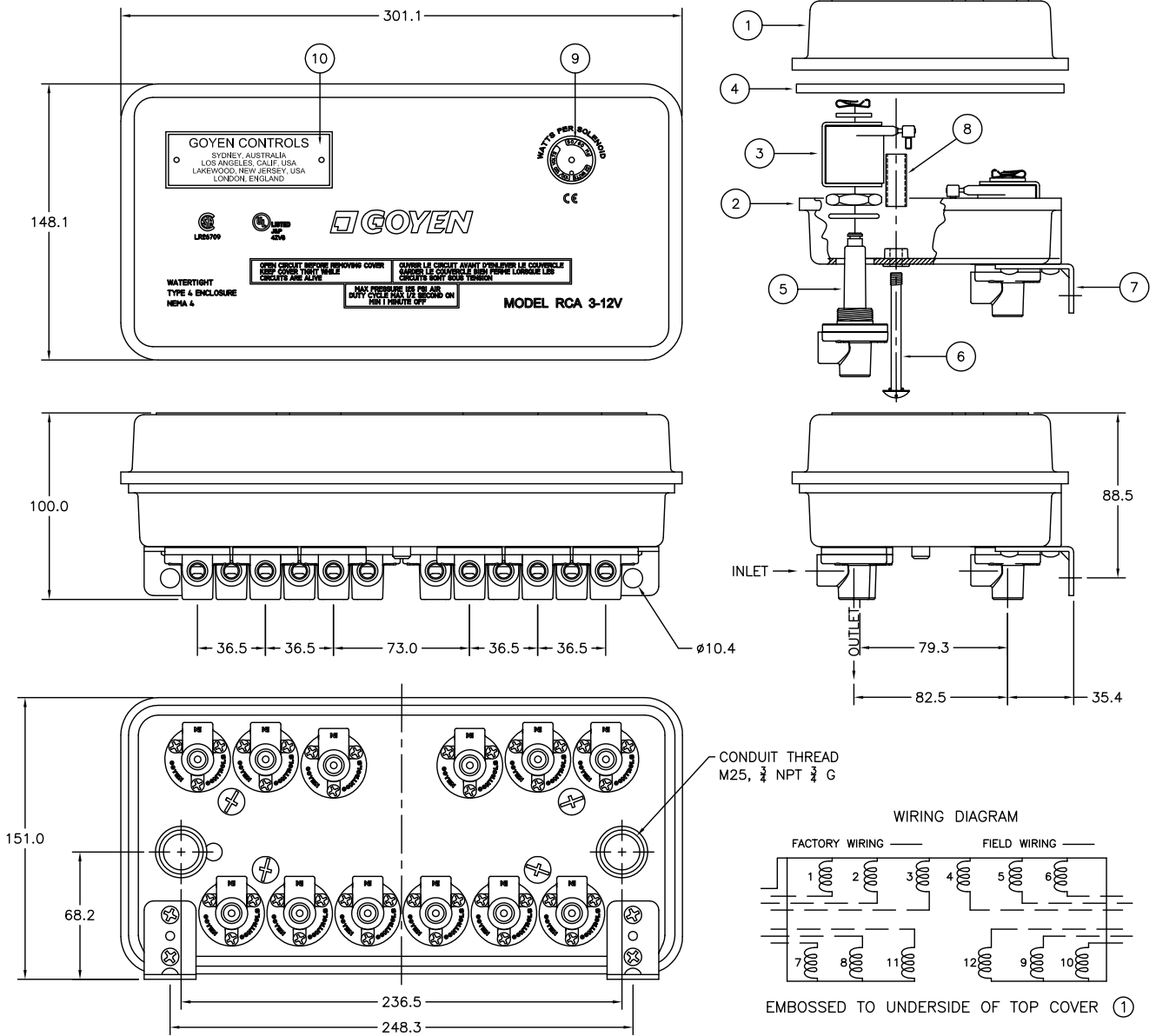


3-8V8

Mass = 1.280 Kg + 0.174 Kg per pilot valve fitted  
(2.820 lb + 0.384 lb per pilot valve fitted)

# GOYEN NEMA4/RAINTIGHT/ ATEX II 3 D G DIECAST PILOT VALVE ENCLOSURES (5, 8, 12 VALVE)

PILOT VALVES AND NEMA 4 ENCLOSURES



3-12V12

Mass = 1.574 Kg + 0.174 Kg per pilot valve fitted  
(3.470 lb + 0.384 lb per pilot valve fitted)



CLEANAIRSYSTEMS.COM

© 2014 Pentair Clean Air Systems reserves the right to change product designs and specifications without notice.