

0°C ÷ 60°C



Working pressure:
10 Bar
Negative pressure:
- 0,95 Bar (- 95 kPa)



Compressed air & Vacuum
(do not use with water)



Polyamide PA,
Polyurethane PU,
Polyethylene PE

Collet: POM

Collar: Nickel-plated brass



Lock claw: Stainless steel AISI 301

Back ring: POM

Seal: NBR

SILICONE FREE

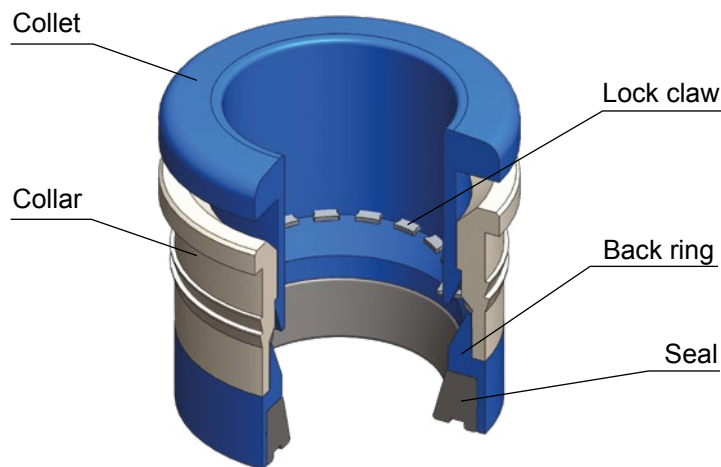


Products in compliance with
EC Regulation 1907/2006

RoHS3

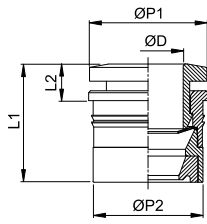
Products in compliance with
the directive EU 2015/863

CONSTRUCTION DETAILS



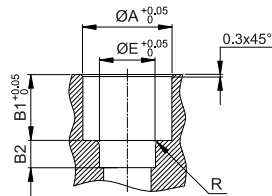
CAS

Cartridge



CODE	ØD	ØP1	ØP2	L1	L2	g
CAS04N	4	10	9	11,25	3,55	1,0
CAS06N	6	12	11,15	12,45	3,95	3,0
CAS08N	8	14	13,25	13,9	4,3	4,0
CAS10N	10	16	15,5	15,15	4,85	5,0
CAS12N	12	19	17,8	17,4	5	7,0

Sizes to produce cartridge seat



CODE	ØA	ØE	B1	B2	R
CAS04N	8,8	4,25	7,8	3,0	0,8
CAS06N	10,9	6,25	8,6	3,5	0,8
CAS08N	13	8,25	9,7	4,0	0,8
CAS10N	15,2	10,25	10,45	4,5	1,0
CAS12N	17,5	12,25	12,5	5,0	1,0

