

-15°C ÷ +80°C



Working pressure:
16 Bar



Compressed air



Parallel gas BSPP ISO 228
from G1/4" to G1/2"



Body: Nickel-plated brass
Spring: Nickel-plated steel

PROFILE - SWISS



NOMINAL DIAMETER

5,0 mm

AIR FLOWRATE

2000 l/min

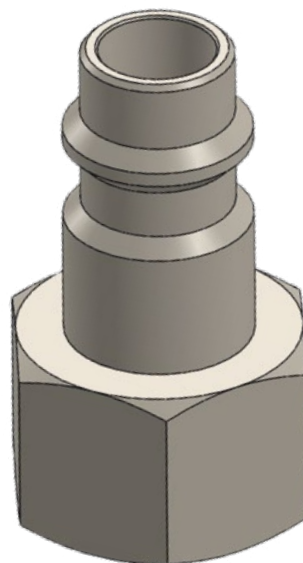


Products in compliance with
EC Regulation 1907/2006



Products in compliance with
the directive EU 2015/863

VIEW - CONNECTION 8470FM



8460MM

Male connection BSPP thread



CODE	THREAD
8460MM02	G 1/4"
8460MM03	G 3/8"
8460MM04	G 1/2"

8470FM

Female connection BSPP thread



CODE	THREAD
8470FM02	G 1/4"
8470FM03	G 3/8"
8470FM04	G 1/2"

8480RE

Connection with barb connector



CODE	INTERNAL TUBE Ø
8480RE06	6
8480RE08	8
8480RE10	10
8480RE12	12



8485PO

Connection with hose connector



CODE	Ø
8485PO610	6x10
8485PO612	6x12
8485PO614	6x14
8485PO812	8x12
8485PO814	8x14
8485PO817	8x17
8485PO10145	10x14,5
8485PO1017	10x17
8485PO1019	10x19

8490MO

Connection with push-on connector and spring



CODE	Ø
8490MO46	4x6
8490MO58	5x8
8490MO68	6x8
8490MO6510	6,5x10
8490MO810	8x10
8490MO812	8x12
8490MO1012	10x12

