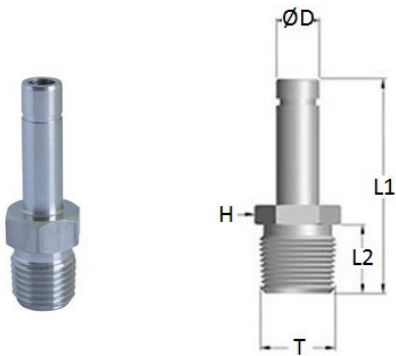


**SXTR**

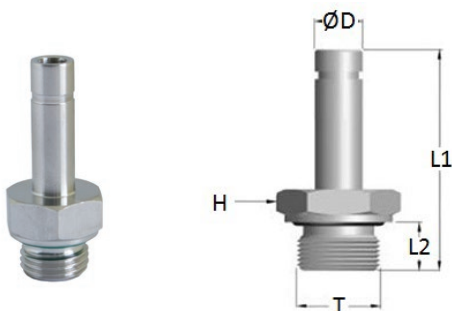
Adapter BSPT thread



| CODE      | ØD | T     | L1   | L2   | H  | GR.  |
|-----------|----|-------|------|------|----|------|
| SXTR04R01 | 4  | R1/8" | 36,5 | 7,5  | 11 | 11,0 |
| SXTR04R02 | 4  | R1/4" | 40,0 | 11,0 | 14 | 20,0 |
| SXTR06R01 | 6  | R1/8" | 38,5 | 7,5  | 11 | 11,0 |
| SXTR06R02 | 6  | R1/4" | 42,0 | 11,0 | 14 | 22,0 |
| SXTR08R01 | 8  | R1/8" | 38,5 | 7,5  | 11 | 13,0 |
| SXTR08R02 | 8  | R1/4" | 42,0 | 11,0 | 14 | 23,0 |
| SXTR08R03 | 8  | R3/8" | 42,5 | 11,5 | 17 | 35,0 |
| SXTR10R02 | 10 | R1/4" | 42,0 | 11,0 | 14 | 24,0 |
| SXTR10R03 | 10 | R3/8" | 42,5 | 11,5 | 17 | 37,0 |
| SXTR12R02 | 12 | R1/4" | 44,5 | 11,0 | 14 | 28,0 |
| SXTR12R03 | 12 | R3/8" | 45,0 | 11,5 | 17 | 41,0 |
| SXTR12R04 | 12 | R1/2" | 48,5 | 15,0 | 22 | 46,0 |
| SXTR14R03 | 14 | R3/8" | 47,0 | 11,5 | 17 | 45,0 |
| SXTR14R04 | 14 | R1/2" | 50,0 | 15,0 | 22 | 50,0 |

**SXTA**

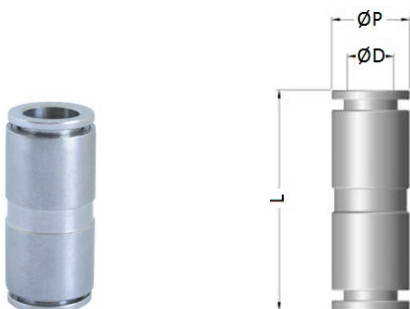
Adapter BSPP & metric thread



| CODE      | ØD | T     | L1   | L2   | H    | GR.  |
|-----------|----|-------|------|------|------|------|
| SXTA04M5  | 4  | M5    | 34,0 | 5,0  | 11   | 8,0  |
| SXTA04G01 | 4  | G1/8" | 34,8 | 5,8  | 14   | 15,0 |
| SXTA04G02 | 4  | G1/4" | 36,7 | 7,5  | 17   | 25,0 |
| SXTA06G01 | 6  | G1/8" | 37,0 | 5,8  | 14   | 16,0 |
| SXTA06G02 | 6  | G1/4" | 39,2 | 7,5  | 17   | 27,0 |
| SXTA08G01 | 8  | G1/8" | 37,0 | 5,8  | 14   | 18,0 |
| SXTA08G02 | 8  | G1/4" | 39,2 | 7,5  | 17   | 28,0 |
| SXTA10G02 | 10 | G1/4" | 39,2 | 7,5  | 17   | 30,0 |
| SXTA10G03 | 10 | G3/8" | 39,4 | 7,5  | 20,6 | 44,0 |
| SXTA12G02 | 12 | G1/4" | 41,2 | 7,5  | 17   | 37,0 |
| SXTA12G03 | 12 | G3/8" | 41,2 | 7,5  | 20,6 | 45,0 |
| SXTA12G04 | 12 | G1/2" | 44,4 | 10,0 | 27   | 51,0 |
| SXTA14G03 | 14 | G3/8" | 42,2 | 7,5  | 20,6 | 50,0 |
| SXTA14G04 | 14 | G1/2" | 45,8 | 10,0 | 27   | 57,0 |
| SXTA16G04 | 16 | G1/2" | 45,8 | 10,0 | 27   | 58,0 |

**SXUC**

Union connector



| CODE     | ØD | ØP   | L    | GR.  |
|----------|----|------|------|------|
| SXUC0400 | 4  | 10,0 | 34,6 | 14,0 |
| SXUC0600 | 6  | 12,4 | 35,6 | 20,0 |
| SXUC0800 | 8  | 14,0 | 35,6 | 21,0 |
| SXUC1000 | 10 | 16,5 | 35,6 | 30,0 |
| SXUC1200 | 12 | 19,0 | 38,8 | 40,0 |
| SXUC1400 | 14 | 21,8 | 40,8 | 53,0 |
| SXUC1600 | 16 | 23,3 | 40,8 | 61,0 |

