



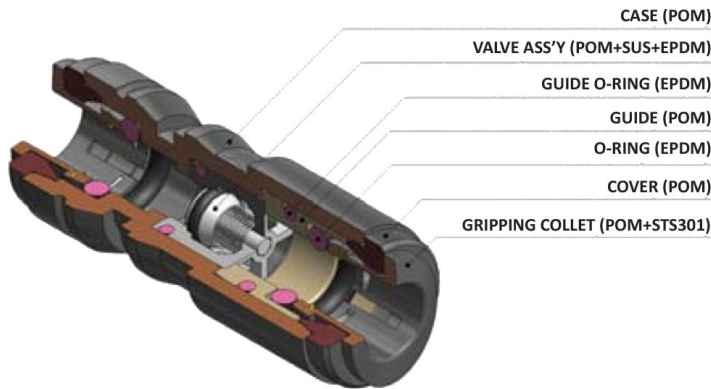
20 Bar -750mmHg
Depending from the tubes & temperatures applied.
Opening pressure: 0,02 Bar



Water, food, air, selected gases, vacuum and liquids suitable with construction materials.



Polyamide, polyurethane, polyethylene, Teflon tube PTFE, calibrated tube FEP.



Dry air: -20°C ÷ 98°C
Air & fluids: 1°C ÷ 98°C

Please be advised that NSF standards cover only the temperature range from 1°C to 70°C. System performances always depend from fittings, tubes and possible other items and accessories used. It is responsibility of the users to cross check the technical features of each single component in order to avoid possible failures and damages.



Products in compliance with the directive 2002/95/EC



Products in compliance with the directive 2011/65/EU



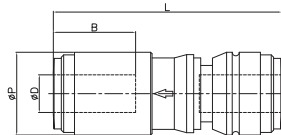
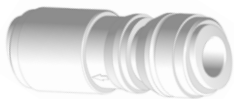
NSF51-NSF61



Body: POM
O'Ring: EPDM
Guide: POM
Valve: POM+AISI+EPDM
Case: POM
Gripping collet: POM+STS301

HCVU

Metric check valves



CODE	ØD	ØP	L	B	GR.
HCVU0404W	4	13,2	44,4	14,7	6,1
HCVU0606W	6	15,5	45,5	16,1	7,4
HCVU0808W	8	17,6	48,6	17,5	10,0
HCVU1010W	10	20,0	57,6	19,4	14,5
HCVU1212W	12	23,6	67,5	23,9	22,1

