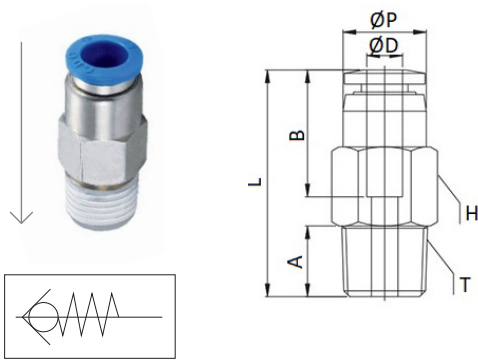


CVPC-R

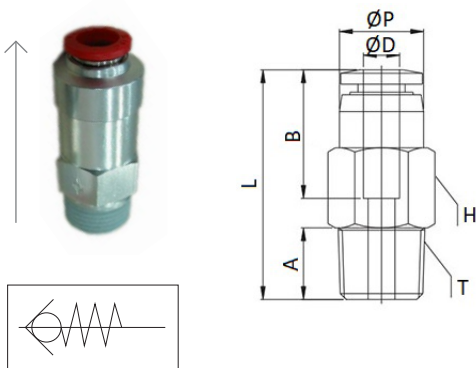
Male connector check valve BSPT thread - OUT



CODE	ØD	ØP	T	L	A	B	H	GR.
CVPC04R01	4	10,0	R1/8"	27,3	8,0	14,8	10	11,0
CVPC06R01	6	11,9	R1/8"	32,5	8,0	16,4	12	16,0
CVPC06R02	6	11,9	R1/4"	32,5	10,0	16,4	14	24,0
CVPC08R01	8	14,0	R1/8"	34,9	8,0	18,4	14	21,0
CVPC08R02	8	14,0	R1/4"	37,2	10,0	18,4	14	24,0
CVPC10R03	10	23,0	R3/8"	56,3	11,0	20,2	22	35,0
CVPC10R04	10	23,0	R1/2"	58,3	14,0	20,2	22	41,0
CVPC12R03	12	25,0	R3/8"	62,2	11,0	22,9	24	40,0
CVPC12R04	12	25,0	R1/2"	65,2	14,0	22,9	24	40,0

CVPC-R-IN

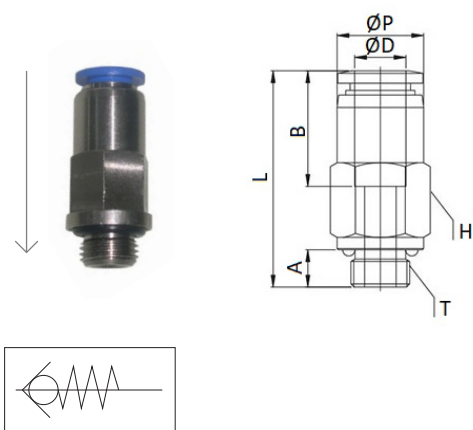
Male connector check valve BSPT thread - IN



CODE	ØD	T	ØP	L	A	B	H	GR.
CVPC04R01-IN	4	R1/8"	10,0	27,3	8,0	15,3	10	9,8
CVPC06R01-IN	6	R1/8"	11,9	32,6	8,0	16,3	12	12,8
CVPC06R02-IN	6	R1/4"	11,9	32,6	10,0	16,3	14	19,8
CVPC08R01-IN	8	R1/8"	14,0	34,9	8,0	18,3	14	18,7
CVPC08R02-IN	8	R1/4"	14,0	37,2	10,0	18,3	14	20,7
CVPC10R03-IN	10	R3/8"	23,0	56,3	11,0	20,3	22	45,5
CVPC10R04-IN	10	R1/2"	23,0	58,3	14,0	20,3	22	63,5
CVPC12R03-IN	12	R3/8"	25,0	62,3	12,0	23,3	24	48,3
CVPC12R04-IN	12	R1/2"	25,0	65,3	14,0	23,3	24	68,3

CVPC-G

Male connector check valve BSPP & metric thread - OUT



CODE	ØD	T	ØP	L	A	B	H	GR.
CVPC04M5	4	M5X0,8P	10,0	31,4	3,6	15,3	10	11,8
CVPC04M6	4	M6X1,0P	10,0	30,4	4,6	15,3	10	11,8
CVPC04G01	4	G1/8"	10,0	26,3	5,0	15,3	10	11,8
CVPC06G01	6	G1/8"	11,9	31,6	5,0	17,0	12	15,8
CVPC06G02	6	G1/4"	11,9	32,1	6,5	17,0	15	25,8
CVPC08G01	8	G1/8"	14,0	33,8	5,0	18,6	14	16,7
CVPC08G02	8	G1/4"	14,0	36,7	6,5	18,6	15	25,7
CVPC10G03	10	G3/8"	23,0	52,5	6,5	20,3	22	33,5
CVPC10G04	10	G1/2"	23,0	54,3	8,0	20,3	24	39,5
CVPC12G03	12	G3/8"	25,0	57,5	6,5	23,3	24	41,3
CVPC12G04	12	G1/2"	25,0	59,3	8,0	23,3	24	44,3

