

-20°C ÷ 100°C with o-ring in NBR  
 -15°C ÷ +200°C with o-ring in viton  
 The working temperature depends on the features of the selected tube.



18 Bar  
 The working pressure depends on the features of the selected tube



Compressed air, water, oil and fluids suitable with construction materials



Taper gas BSPT ISO 7 from R1/8" to R1/2"  
 Parallel gas BSPP ISO 228 from G1/8" to G1/2"  
 Metric ISO R/262 M5, M6, M12



Polyurethane, Polyethylene, Polyamide, PTFE, FEP



**Body:** Nickel plated brass  
 UNI EN 12164 CW 614N AND  
 UNI EN12165 CW 617N

**Lock nut:** UNI EN 12164 CW 614N AND  
**O'Ring:** NBR

- Available on demand and with minimum quantity in yellow brass.
- Available on demand O-Ring in Viton



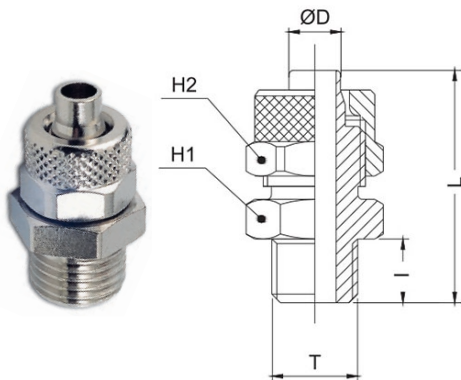
Products in compliance with the directive 2002/95/EC

**RoHS2**

Products in compliance with the directive 2011/65/EU

2500

Male connector BSPP thread



CODE	T	ØD	I	L	H1	H2	GR.
2500TR1853	G1/8"	5/3	6	23,0	14	8	10,0
2500TR1864	G1/8"	6/4	6	25,5	14	12	16,0
2500TR1464	G1/4"	6/4	8	28,0	17	12	24,0
2500TR3864	G3/8"	6/4	9	29,0	19	12	28,0
2500TR1886	G1/8"	8/6	6	25,5	14	14	18,0
2500TR1486	G1/4"	8/6	8	28,0	17	14	26,0
2500TR3886	G3/8"	8/6	9	29,0	19	14	28,0
2500TR18108	G1/8"	10/8	6	27,0	14	16	24,0
2500TR14108	G1/4"	10/8	8	29,5	17	16	30,0
2500TR38108	G3/8"	10/8	9	30,5	19	16	34,0
2500TR12108	G1/2"	10/8	10	32,0	24	16	44,0
2500TR381210	G3/8"	12/10	9	32,0	19	18	38,0
2500TR121210	G1/2"	12/10	10	33,5	24	18	48,0
2500TR1215125	G1/2"	15/12,5	10	35,5	24	22	60,0

