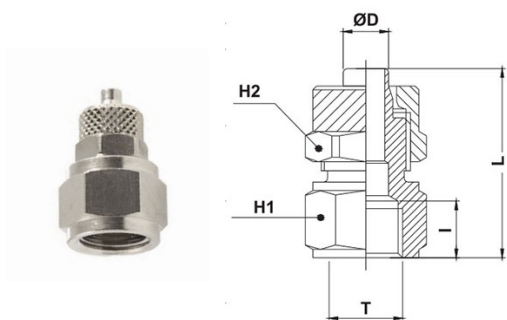


2505

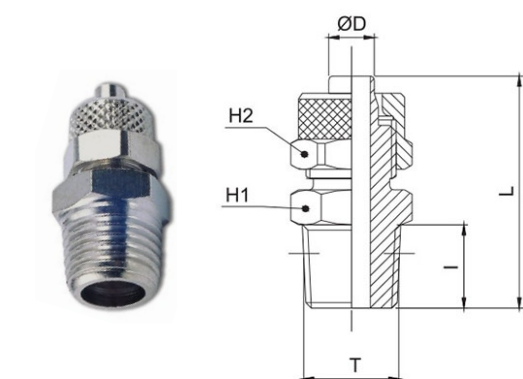
Female connector BSPP thread



CODE	T	ØD	I	L	H1	H2	GR.
2505TR18427	G1/8"	4/2,7	8,0	21,3	14	8	11,0
2505TR1853	G1/8"	5/3	8,0	22,5	14	8	12,0
2505TR1864	G1/8"	6/4	8,0	25,0	14	12	18,0
2505TR1464	G1/4"	6/4	11,0	29,0	17	12	26,0
2505TR3864	G3/8"	6/4	11,5	29,5	20	12	30,0
2505TR1886	G1/8"	8/6	8,0	25,0	14	14	20,0
2505TR1486	G1/4"	8/6	11,0	29,0	17	14	28,0
2505TR3886	G3/8"	8/6	11,5	29,5	20	14	32,0
2505TR1286	G1/2"	8/6	14	33	24	14	32,0
2505TR18108	G1/8"	10/8	8,0	26,5	14	16	24,0
2505TR14108	G1/4"	10/8	11,0	30,5	17	16	32,0
2505TR38108	G3/8"	10/8	11,5	31,0	20	16	36,0
2505TR12108	G1/2"	10/8	14,0	34,5	24	16	50,0
2505TR381210	G3/8"	12/10	11,5	32,5	20	18	40,0

2510

Male connector BSPT thread



CODE	T	ØD	I	L	H1	H2	GR.
2510TR18427	R1/8"	4/2,7	8	23,8	12	8	10,0
2510TR1853	R1/8"	5/3	8,0	25,0	12	8	10,0
2510TR1864	R1/8"	6/4	8,0	27,5	12	12	16,0
2510TR1464	R1/4"	6/4	11,0	31,0	14	12	20,0
2510TR3864	R3/8"	6/4	11,5	31,5	17	12	26,0
2510TR1886	R1/8"	8/6	8,0	27,5	12	14	18,0
2510TR1486	R1/4"	8/6	11,0	31,0	14	14	22,0
2510TR3886	R3/8"	8/6	11,5	31,5	17	14	28,0
2510TR1286	R1/2"	8/6	14,0	34,5	22	14	44,0
2510TR18108	R1/8"	10/8	8,0	29,5	14	16	24,0
2510TR14108	R1/4"	10/8	11,0	32,5	14	16	28,0
2510TR38108	R3/8"	10/8	11,5	33,0	17	16	34,0
2510TR12108	R1/2"	10/8	14,0	36,0	22	16	46,0
2510TR381210	R3/8"	12/10	11,5	34,5	17	18	38,0
2510TR121210	R1/2"	12/10	14,0	37,5	22	18	50,0
2510TR1215125	R1/2"	15/12,5	14,0	39,5	22	22	62,0

