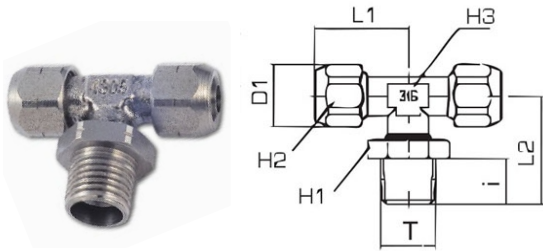


2745

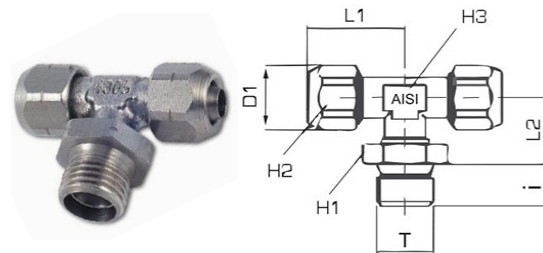
Swivel male tee BSPT thread



CODE	T	ØD	I	L1	L2	D1	H1	H2	H3	GR.
2745TR1864	R1/8"	6/4	7,5	22,5	21,5	13,0	13	12	10	35,0
2745TR1464	R1/4"	6/4	11,0	22,5	25,5	13,0	17	12	10	39,0
2745TR1886	R1/8"	8/6	7,5	22,5	21,5	15,0	13	14	10	38,0
2745TR1486	R1/4"	8/6	11,0	22,5	25,5	15,0	17	14	10	42,0
2745TR14108	R1/4"	10/8	11,0	24,0	25,5	18,5	17	17	10	40,0

2750

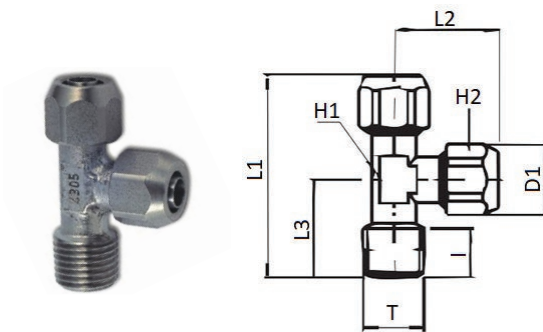
Swivel male tee BSPP thread



CODE	T	ØD	I	L1	L2	D1	H1	H2	H3	GR.
2750TR1864	G1/8"	6/4	8	22,5	14,0	13,0	13	12	10	36,0
2750TR1464	G1/4"	6/4	10	22,5	14,5	13,0	17	12	10	38,0
2750TR1886	G1/8"	8/6	8	22,5	14,0	15,0	13	14	10	37,0
2750TR1486	G1/4"	8/6	10	22,5	14,5	15,0	17	14	10	41,0
2750TR14108	G1/4"	10/8	10	24,0	14,5	18,5	17	17	10	54,0

2760

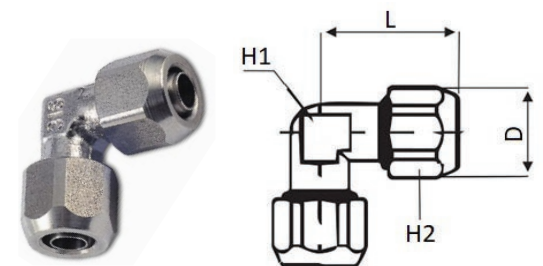
Lateral male tee BSPT thread



CODE	T	ØD	I	L1	L2	L3	D1	H1	H2	GR.
2760TR1864	R1/8"	6/4	9,0	41,0	22,5	18,5	13,0	10	12	35,0
2760TR1464	R1/4"	6/4	10,5	43,5	22,5	21,0	13,0	10	12	40,0
2760TR1886	R1/8"	8/6	9,0	41,0	22,5	18,5	15,0	10	14	35,0
2760TR1486	R1/4"	8/6	10,5	43,5	22,5	21,0	15,0	10	14	35,0
2760TR18108	R1/8"	10/8	9,0	43,5	25,0	18,5	18,5	10	17	35,0
2760TR14108	R1/4"	10/8	10,5	46,0	25,0	21,0	18,5	10	17	40,0
2760TR38108	R3/8"	10/8	11,5	52,0	27,0	25,0	18,5	13	17	70,0

2770

Union elbow connector



CODE	ØD	L	D1	H1	H2	GR.
2770TR64	6/4	22,5	13,0	10	12	29,0
2770TR86	8/6	22,5	13,5	10	14	29,0
2770TR108	10/8	25,0	15,5	10	17	70,0
2770TR1210	12/10	29,0	21,0	13	19	40,0

